

# AIR PREPARATION UNITS

FRC PRECISION series

**Kushako**

## PRECISION SERIES FILTER REGULATOR COMBINATION, 1/4"

### Features :-

- Modular type for easy and fast maintenance.
- Suitable for wall mounting.
- Filter
  - Plastic sintered element
  - Separator and shield for efficient moisture separation.
  - Manual drain for easy operation .
- Regulator - Diaphragm operated, relieving type .
  - Pressure compensated by balanced poppet .
  - Lock Nut Provided for locking at any set pressure.
- Good flow and regulating characteristics.

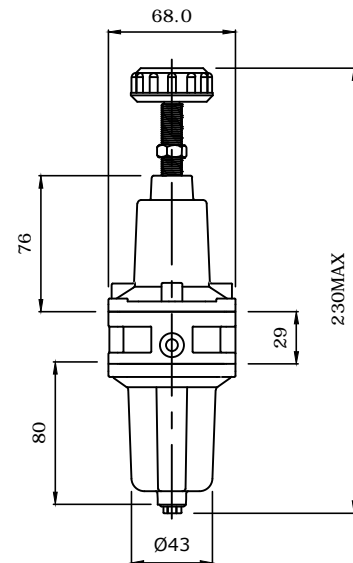


### Precautions :-

- Note the direction of flow before installation and connect piping accordingly.
- Install in clean atmosphere.
- Polycarbonate bowls may get damaged and possibly fail if exposed to synthetic oils, thinner, solvents trichloroethylene, Kerosene or other hydrocarbons.

### Technical specification

Model	DFR-201M-M6KA-NB
Medium	Compressed air - Filtered
Port Size	G1/4 NPT / BSP
Pressure gauge port size	G1/4 NPT / BSP
Flow rate ( Ltr / Min )	2820
Maximum supply pressure (bar)	12
Regulating pressure range (bar)	( 0.5 - 10 ) (Standard)
Ambient / Medium temperature	5° - 60°
Filtration ( µm )	1, 5, 25 & 40 Micron ,100 option
Minimum operating flow , Ltr / Min	1540Lpm
Bowl capacity Filter ( ml )	60 ml
Recommended Oil	ISO VG 32
Bowl material	AL Alloy Metal .
Installation	Vertical
Materials of construction	Aluminium, Brass, Steel, SS, NTR/PC
Optional accessories	Clamp, Modular mounting kit, Gauge
Weight (kg)	750grams



Bracket



Pr. Gauge

\* Technical know-how, design & drawings originally from Kushako India

Manufactured by :

**Kushako India**

Office : 490, Narayan Peth, Opp. Pune Marathi Granthalaya, Pune - 411030. (Maharashtra), Website : www.kushakoindia.com

Works : Sr.No. 25/1A, Village Nanded, Sinhgad Road, Tal - Haveli, Dist. Pune -411041

Tel. No : 9921389777 / 9011389777 / 7620674777

E-mail : kushako.india@gmail.com / kushakoindia1992@gmail.com

